

Uniclass L41303:P7114	EPIC D1313:X725
CI/SfB (31.42)	Xn6

August 2000



## DIAMOND SUITE 65mm and 70mm GEORGIAN BAR WINDOW [BEVELLED & FEATURED]

Compatible with both 65mm and 70mm systems these fully featured bars will recreate the look of a traditional style window. Available in Duraflex brilliant white, the bars provide a seamless option for many period style applications in both the refurbishment and the new build market.

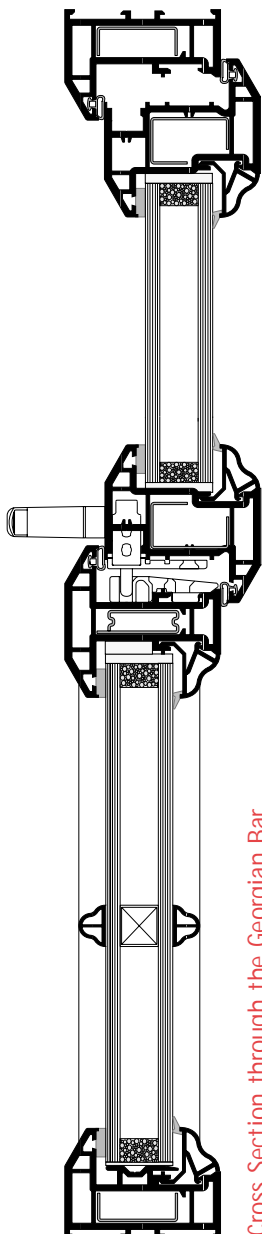
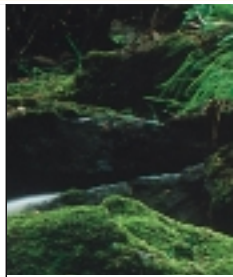
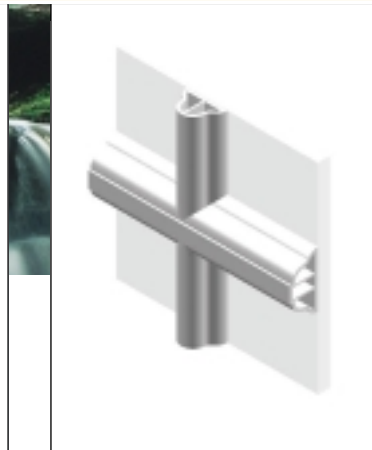
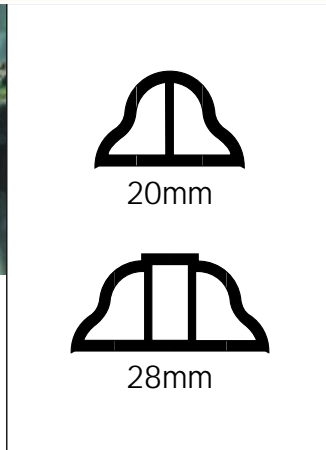


the natural choice

# specification

- Profile:
  - Diamond Suite Georgian Bar
- Colours:
  - White

- Profiles used:
  - 3087 28mm bar
  - 3088 20mm bar



Cross Section through the Georgian Bar

## Georgian Bar Faces

- Face fix Georgian bars.
- Available in two bar widths – 20mm and 28mm.
- Application with both tape and hot melt possible.
- Compatible with both 65mm and 70mm system.
- Both bars are featured.
- Can be mounted for internal and external applications.



**DURAFLEX**  
MAKING THE DIFFERENCE

Customer Centre Central Way Arle Road Cheltenham Gloucestershire GL51 8LX  
Tel: 08705 351 351 [www.duraflex.co.uk](http://www.duraflex.co.uk)